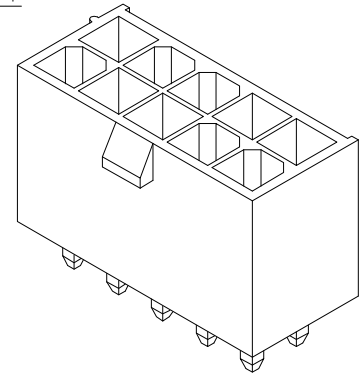
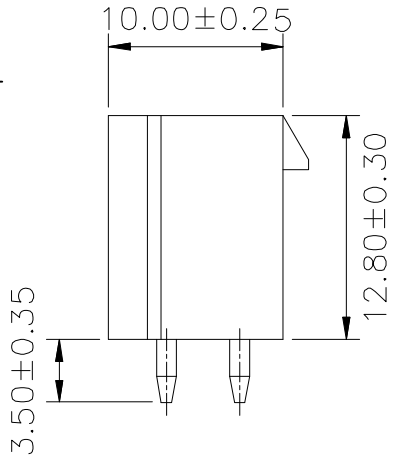
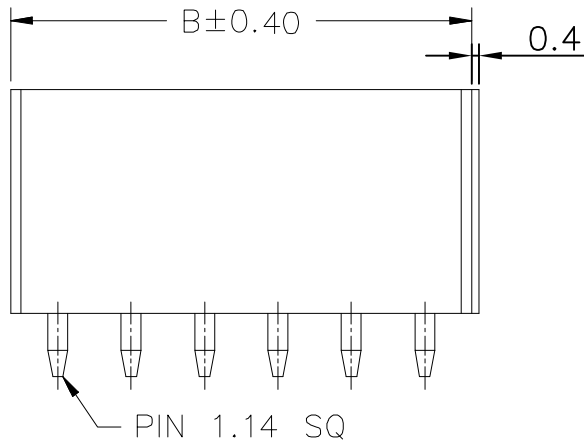


P.C.B LAYOUT

SPECIFICATIONS
 Current Rating: 9A AC,DC
 Voltage Rating: 600V AC,DC
 Temperature Range: -25°C ~ +85°C
 Contact Resistance: 10mΩ Max
 Insulation Resistance: 1000MΩ Min
 Withstanding Voltage: 1500V AC/minute
 Pin Material: Brass/Tin-plated
 Material: Nylon 66,UL94V-0
 Color: Black

PART NO.
 YL025-002-H XX
 02:2*1P
 04:2*2P

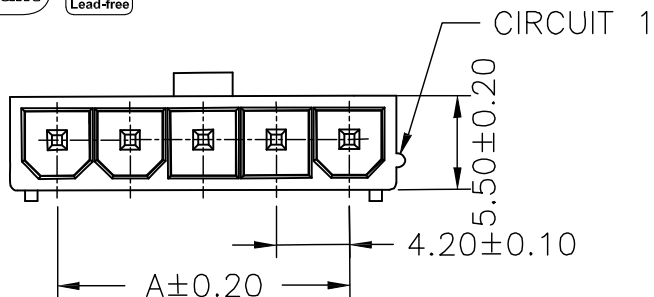
 24:2*12P



| PIN No. | DIM:A | DIM:B |
|---------|-------|-------|
| 2 | | 5.60 |
| 4 | 4.20 | 9.80 |
| 6 | 8.40 | 14.00 |
| 8 | 12.60 | 18.20 |
| 10 | 16.80 | 22.45 |
| 12 | 21.00 | 26.75 |
| 14 | 25.20 | 31.00 |
| 16 | 29.40 | 35.20 |
| 18 | 33.60 | 39.40 |
| 20 | 37.80 | 43.50 |
| 22 | 42.00 | 47.80 |
| 24 | 46.20 | 52.20 |

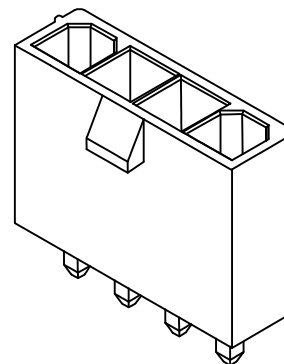
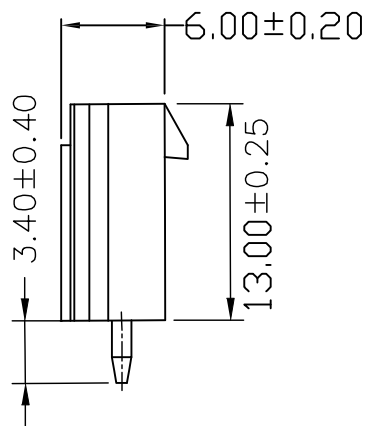
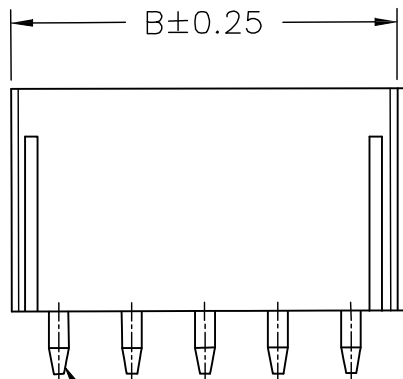
YL025-002-XXX
 PART NUMBER

| | | | |
|---|--|----------------------------------|---|
| THIS DRAWING IS A CONTROLLED DOCUMENT. | | DWN Y.L 01Jan2016 | 东莞市宇亮电子有限公司 DONG GUAN YU LIANG ELECTRONICS CO., LTD NAME ATX4.2 双排板端插座 180度实心针 Sn PA66 V0黑色 SIZE A4 DRAWING No. YL025-002 |
| DIMENSIONS: mm THIRD ANGLE PROJECTION | TOLERANCES UNLESS OTHERWISE SPECIFIED: 0 PLC ± 0.50 1 PLC ± 0.30 2 PLC ± 0.20 3 PLC ± 0.15 4 PLC ± - ANGLES ± 3° | CHEK JU.HE 01Jan2016 | |
| | | APVD Abel 01Jan2016 | |
| | | PRODUCT SPEC — WEIGHT — | |
| | | CUSTOMER DRAWING | SCALE 1 : 1 SHEET 3 of 4 |

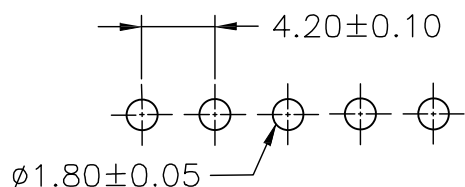


SPECIFICATIONS

Current Rating: 9A AC,DC
 Voltage Rating: 600V AC,DC
 Temperature Range: -25°C ~ +85°C
 Contact Resistance: 10mΩ Max
 Insulation Resistance: 1000MΩ Min
 Withstanding Voltage: 1500V AC/minute
 Pin Material: Brass/Tin-plated
 Material: Nylon 66,UL94V-2
 Color: Natural(Translucent)



| PART NUMBER | PIN No. | DIM A | DIM B |
|---------------|---------|-------|-------|
| YL025-001-002 | 2 | 4.20 | 9.80 |
| YL025-001-003 | 3 | 8.40 | 14.00 |
| YL025-001-004 | 4 | 12.60 | 18.20 |
| YL025-001-005 | 5 | 16.80 | 22.40 |
| YL025-001-006 | 6 | 21.00 | 26.60 |
| YL025-001-007 | 7 | 25.20 | 30.80 |
| YL025-001-008 | 8 | 29.40 | 35.00 |
| YL025-001-009 | 9 | 33.60 | 39.20 |
| YL025-001-010 | 10 | 37.80 | 43.40 |
| YL025-001-011 | 11 | 42.00 | 47.60 |
| YL025-001-012 | 12 | 46.20 | 51.80 |



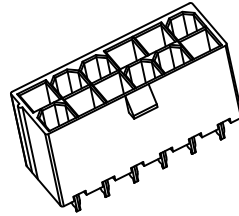
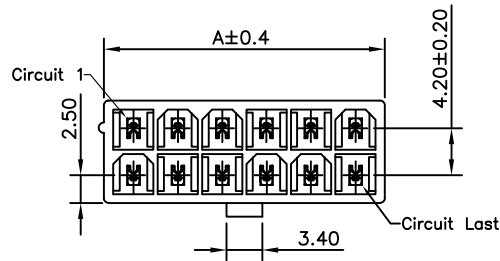
P.C.B LAYOUT

| A | RELEASED | 01Jan18 | AW | WK |
|-----------|-------------|---------|-----|------|
| LTR | DESCRIPTION | DATE | DWN | APVD |
| REVISIONS | | | | |

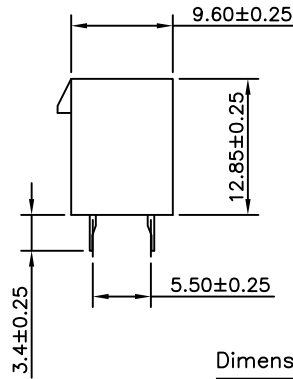
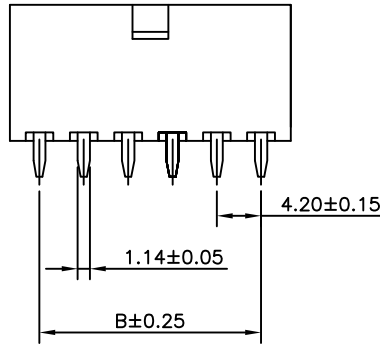
| | | | | | |
|--|--|-----------------------|-----------|--|--------|
| THIS DRAWING IS A CONTROLLED DOCUMENT. | | DWN | 18Jan2016 | 东莞市宇亮电子有限公司 DONG GUAN YU LIANG ELECTRONICS CO.,LTD | |
| DIMENSIONS: mm | | CHEK | 18Jan2016 | | |
| TOLERANCES UNLESS OTHERWISE SPECIFIED: | | APVD | 18Jan2016 | NAME ATX 4.20 PITCH 单排 180° DIP 实心针 | |
| 0 PLC ± 0.50 | | Abel | | | |
| 1 PLC ± 0.35 | | PRODUCT SPEC | | SIZE A4 | |
| 2 PLC ± 0.20 | | WEIGHT | | | |
| 3 PLC ± 0.15 | | — | | DRAWING No. YL025-001 | |
| 4 PLC ± - | | — | | | |
| ANGLES ± 3° | | ASSMBLE DRAWING / 组装图 | | SCALE | 1 : 1 |
| THIRD ANGLE PROJECTION | | | | SHEET | 1 of 1 |



| REVISIONS | | | | |
|-----------|-------------|------------|-----|------|
| LTR | DESCRIPTION | DATE | DWN | APVD |
| A | RELEASED | 2018\05\29 | AW | WK |



Specifications:
 Current Rating:7.0A AC/DC
 Voltage Rating:600V AC/DC
 Contact Resistance:20m ohm. Max.
 Insulation Resistance:1000M ohm. Min.
 Withstanding Voltage:1500V AC For One Minute
 Operating Temperature Range:-25°C To +85°C
 Materials:
 Insulator:Nylon 66 (UL94V-2)
 Insulator Color:Transparent/Milky white
 Contact:Brass
 Plating:Tin Plated

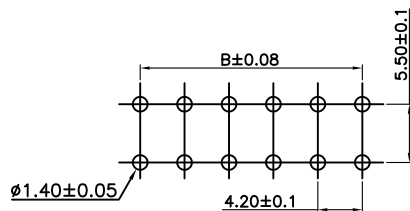


PART NO.
 YL025-018-X XX

0: 盘装/乳白色 02:2*1P
 A: 盘装/透明白 04:2*2P
 06:2*3P

Dimension Information:

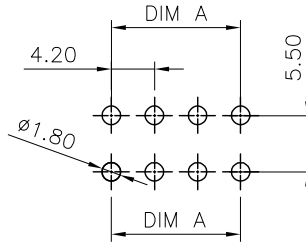
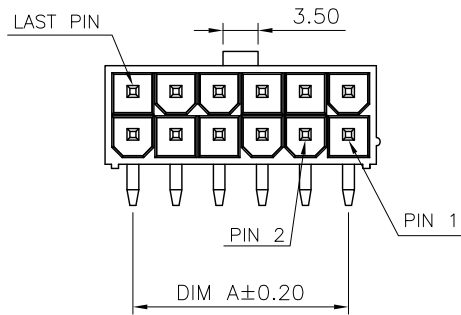
| Circuits | Dim A | Dim B | Circuits | Dim A | Dim B |
|----------|-------|-------|----------|-------|-------|
| 2 | 5.60 | — | 14 | 30.8 | 25.2 |
| 4 | 9.80 | 4.2 | 16 | 35.0 | 29.4 |
| 6 | 14.0 | 8.4 | 18 | 39.2 | 33.6 |
| 8 | 18.2 | 12.6 | 20 | 43.4 | 37.8 |
| 10 | 22.4 | 16.8 | 22 | 47.6 | 42.0 |
| 12 | 26.6 | 21.0 | 24 | 52.3 | 46.2 |



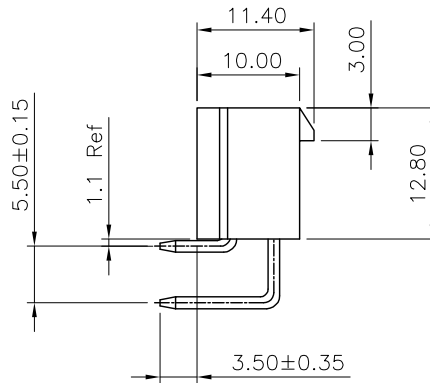
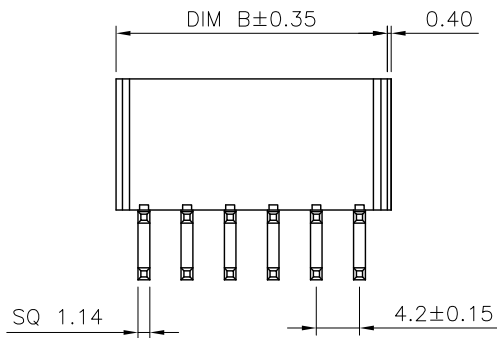
RECOMMENDED P.C.B LAYOUT
 (Ref: Board Thick=1.78mm)

YL025-018-XXX
 PART NUMBER

| | | | | | |
|--|--|--------------|--------------|---|--|
| THIS DRAWING IS A CONTROLLED DOCUMENT. | | DWN | 2018\05\29 | 东莞市宇亮电子有限公司 DONG GUAN YU LIANG ELECTRONICS CO., LTD NAME ATX4.2 双排板端插座 180度 空心针 SIZE A4 DRAWING No. YL025-018 | |
| DIMENSIONS: mm | | CHEK | 2018\05\29 | | |
| TOLERANCES UNLESS OTHERWISE SPECIFIED: | | APVD | 2018\05\29 | | |
| 0 PLC ± 0.50 1 PLC ± 0.30 2 PLC ± 0.20 3 PLC ± 0.15 4 PLC ± - ANGLES ± 3° | | PRODUCT SPEC | - | | |
| THIRD ANGLE PROJECTION | | WEIGHT | - | SCALE 1 : 1 | |
| CUSTOMER DRAWING | | | SHEET 1 of 2 | | |



RECOMMENDED PCB LAYOUT



PRODUCT SPECIFICATION

1. INSULATOR MATERIAL : POLYESTER, UL94V-0 .
2. TERMINAL MATERIAL : COPPER ALLOY .
3. FINISH : TIN PLATED OVER NICKEL.
4. CURRENT RATING : 9 AMPERE.
5. INSULATION RESISTANCE : 1000M OHMS MIN.
6. DIELECTRIC WITHSTANDING VOLTAGE : 1500 V /1 MINUTE.
7. CONTACT RESISTANCE : Initial : 10 m Ohm Max. ;
Final : 40 m Ohm Max. .
8. OPERATING TEMPERATURE : - 25°C to +85°C.

PART NO.

YL025-004-X XX

B:透明白
C:乳白色

02:2*2P
03:2*3P
.....

12:2*12P

| PIN No. | DIM A | DIM B |
|---------|-------|-------|
| 2*1 | N/A | 5.40 |
| 2*2 | 4.20 | 9.60 |
| 2*3 | 8.40 | 13.80 |
| 2*4 | 12.60 | 18.00 |
| 2*5 | 16.80 | 22.20 |
| 2*6 | 21.00 | 26.40 |
| 2*7 | 25.20 | 30.60 |
| 2*8 | 29.40 | 34.80 |
| 2*9 | 33.60 | 39.00 |
| 2*10 | 37.80 | 43.20 |
| 2*11 | 42.00 | 47.40 |
| 2*12 | 46.20 | 51.60 |

YL025-004-XXX

PART NUMBER

| A2 | 乳白色规格修改为吸塑盒装 | 2018\10\22 | | |
|-----------|--------------|------------|-----|------|
| A1 | 新增乳白色规格 | 2018\05\17 | | |
| A | RELEASED | 2017\06\15 | | |
| LTR | DESCRIPTION | DATE | DWN | APVD |
| REVISIONS | | | | |

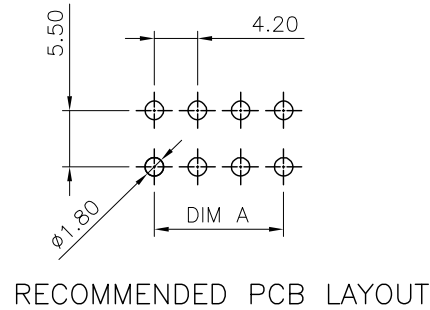
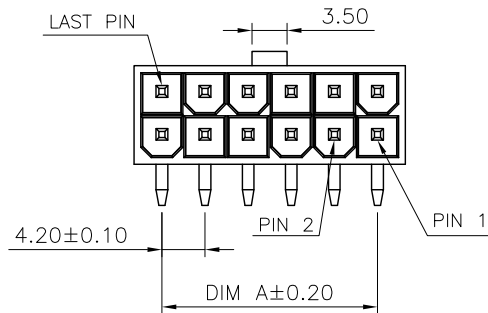
THIS DRAWING IS A CONTROLLED DOCUMENT.

| | | | | | |
|------------------------|--|---|-----------------|-----------------|--|
| DIMENSIONS: mm | TOLERANCES UNLESS OTHERWISE SPECIFIED: 0 PLC ± 0.50 1 PLC ± 0.35 2 PLC ± 0.20 3 PLC ± 0.15 4 PLC ± - ANGLES ± 3° | DWN 2018\10\22 | CHEK 2018\10\22 | APVD 2018\10\22 | 东莞市宇亮电子有限公司 DONG GUAN YU LIANG ELECTRONICS CO.,LTD NAME ATX 4.20 PITCH 双排 90° 实心针 |
| THIRD ANGLE PROJECTION | | SIZE A4 DRAWING No. YL025-004 | | | |
| | | ASSMBLE DRAWING / 组装机 | | | SCALE 1 : 1 |
| | | | | | SHEET 2 of 2 |



PRODUCT SPECIFICATION

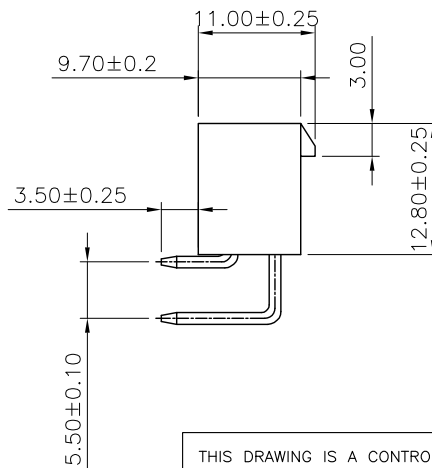
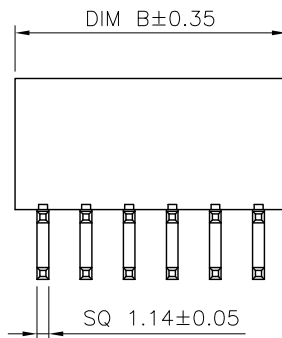
1. INSULATOR MATERIAL : POLYESTER, UL94V-0 .
2. TERMINAL MATERIAL : COPPER ALLOY .
3. FINISH : TIN /GOLD PLATED OVER NICKEL.
4. CURRENT RATING : 9 AMPERE.
5. INSULATION RESISTANCE : 1000M OHMS MIN.
6. DIELECTRIC WITHSTANDING VOLTAGE : 1500 V /1 MINUTE.
7. CONTACT RESISTANCE : Initial : 10 m Ohm Max. ;
Final : 40 m Ohm Max. .
8. OPERATING TEMPERATURE : - 25°C to +85°C.



PART NO.

YL025-019-XXX

0:Sn
A:Au1.5u” } 02:2*2P
.....



塑胶无肋条

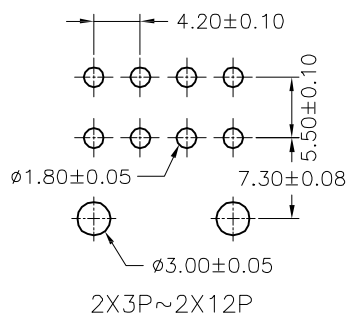
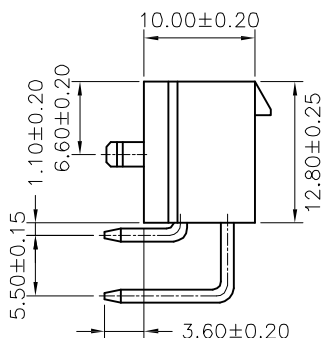
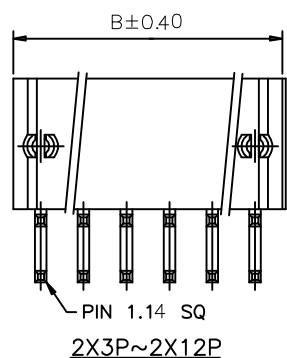
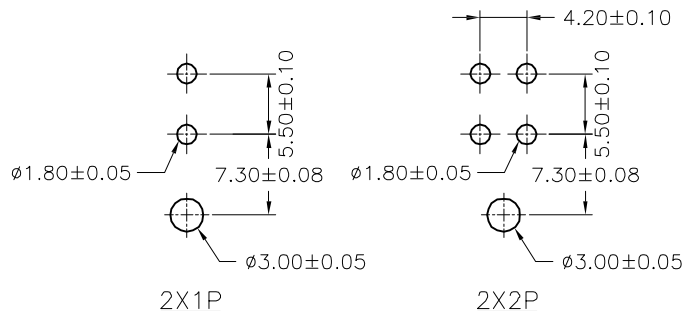
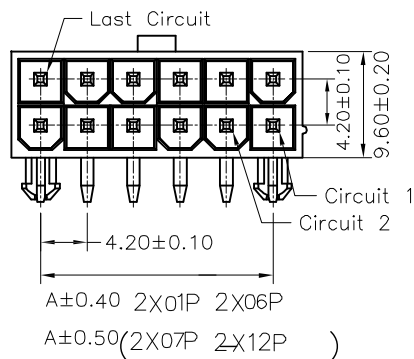
| PIN No. | DIM A | DIM B |
|---------|-------|-------|
| 2*2 | 4.20 | 9.60 |
| 2*9 | 33.60 | 39.00 |
| 2*10 | 37.80 | 43.20 |

YL025-019-XXX

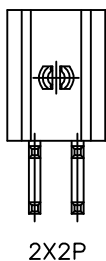
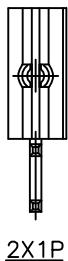
PART NUMBER

| A | RELEASED | 2019\05\20 | AW | WK |
|-----------|-------------|------------|-----|------|
| LTR | DESCRIPTION | DATE | DWN | APVD |
| REVISIONS | | | | |

| | | | | |
|--|--|---------------------------------------|-------------|--|
| THIS DRAWING IS A CONTROLLED DOCUMENT. | | DWN | 2019\05\20 | 东莞市宇亮电子有限公司 DONG GUAN YU LIANG ELECTRONICS CO.,LTD |
| DIMENSIONS: mm | | CHEK | 2019\05\20 | |
| TOLERANCES UNLESS OTHERWISE SPECIFIED: | | APVD | 2019\05\20 | |
| 0 PLC ± 0.50 1 PLC ± 0.35 2 PLC ± 0.20 3 PLC ± 0.15 4 PLC ± - ANGLES ± 3° | | NAME ATX 4.20 PITCH 双排 90° 实心针 无肋条 | | |
| THIRD ANGLE PROJECTION | | PRODUCT SPEC | SIZE | |
| | | WEIGHT | DRAWING No. | |
| | | ASSMBLE DRAWING / 组装图 | | A4 YL025-019 |
| | | SCALE | 1 : 1 | SHEET 1 of 1 |



P.C.B LAYOUT



| REVISIONS | | | | |
|-----------|-------------|-----------|-----|------|
| LTR | DESCRIPTION | DATE | DWN | APVD |
| A | RELEASED | 17Jul2017 | Y.L | |

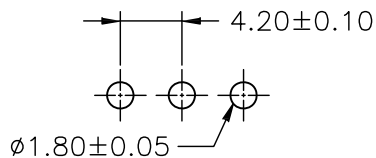
SPECIFICATIONS

Current Rating: 9A AC,DC
 Voltage Rating: 600V AC,DC
 Temperature Range: -25°C ~ +85°C
 Contact Resistance: 10mΩ Max
 Insulation Resistance: 1000MΩ Min
 Withstanding Voltage: 1500V AC/minute
 Pin Material: Brass/Tin-plated Or Gold plating
 Material: Nylon 66,UL94V-2
 Color: Natural(Translucent)

Ordering Information & Dimensions

| PART NO. | Dimensions | |
|-----------------|------------|-------|
| | A | B |
| C4255WR-F-2X01P | --- | 5.60 |
| C4255WR-F-2X02P | 4.20 | 9.80 |
| C4255WR-F-2X03P | 8.40 | 14.00 |
| C4255WR-F-2X04P | 12.60 | 18.20 |
| C4255WR-F-2X05P | 16.80 | 22.45 |
| C4255WR-F-2X06P | 21.00 | 26.75 |
| C4255WR-F-2X07P | 25.20 | 31.00 |
| C4255WR-F-2X08P | 29.40 | 35.20 |
| C4255WR-F-2X09P | 33.60 | 39.40 |
| C4255WR-F-2X10P | 37.80 | 43.50 |
| C4255WR-F-2X11P | 42.00 | 47.80 |
| C4255WR-F-2X12P | 46.20 | 52.20 |

| | | | | | |
|--|--|------------------|-----------|---------------------------------------|--------------------------|
| THIS DRAWING IS A CONTROLLED DOCUMENT. | | DWN Y.L | 17Jul2017 | 东莞市宇亮电子有限公司 | |
| DIMENSIONS: mm | | CHEK | 17Jul2017 | | |
| TOLERANCES UNLESS OTHERWISE SPECIFIED: | | APVD | 17Jul2017 | NAME ATX POWER 板端插座, 双排 90° DIP 带柱 | |
| 0 PLC ± 0.50 | | PRODUCT SPEC | | SIZE A4 | DRAWING No. YL025-OXX |
| 1 PLC ± 0.30 | | WEIGHT | | SCALE 1 : 1 SHEET 1 of 1 | |
| 2 PLC ± 0.20 | | CUSTOMER DRAWING | | | |
| 3 PLC ± 0.15 | | | | | |
| 4 PLC ± - | | | | | |
| THIRD ANGLE PROJECTION | | | | | |
| ANGLES ± 3° | | | | | |

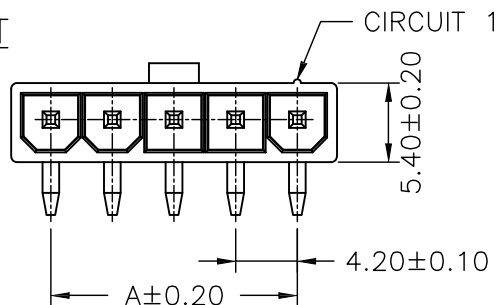
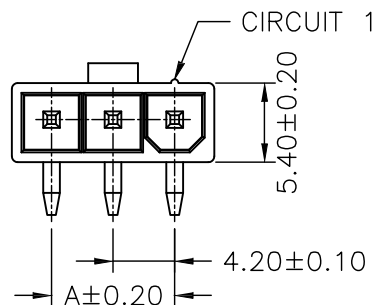


P.C.B LAYOUT

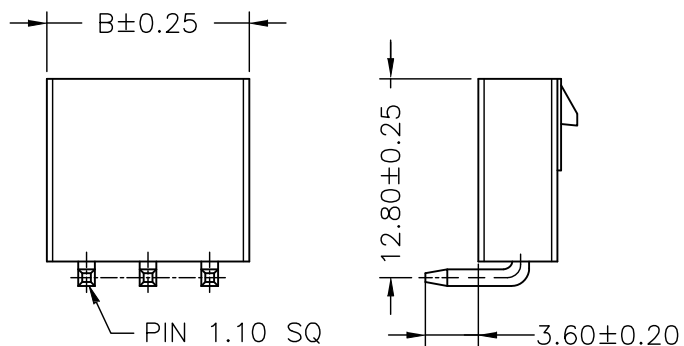
| REVISIONS | | | | |
|-----------|-------------|------------|-----|------|
| LTR | DESCRIPTION | DATE | DWN | APVD |
| A | RELEASED | 2018\03\31 | AW | WK |

SPECIFICATIONS

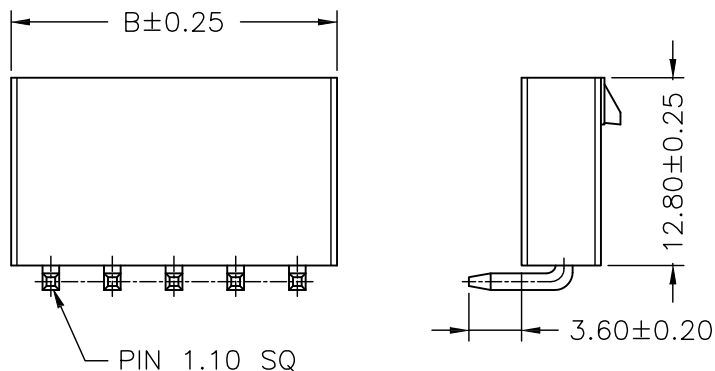
Current Rating: 9A AC,DC
 Voltage Rating: 600V AC,DC
 Temperature Range: -25°C ~ +85°C
 Contact Resistance: 10mΩ Max
 Insulation Resistance: 1000MΩ Min
 Withstanding Voltage: 1500V AC/minute
 Pin Material: Brass/Tin-plated
 Material: Nylon 66,UL94V-2
 Color: Natural(Translucent)



PART NO.
YL025-003-B XX

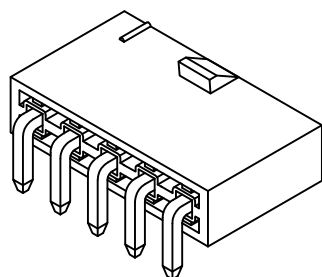


3P



2P, 4P, 5P

| PIN | Dimensions | |
|-----|------------|-------|
| | A | B |
| 02P | 4.20 | 9.60 |
| 03P | 8.40 | 13.80 |
| 04P | 12.60 | 18.00 |
| 05P | 16.80 | 22.20 |

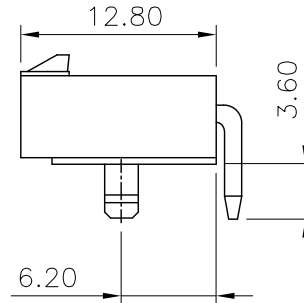
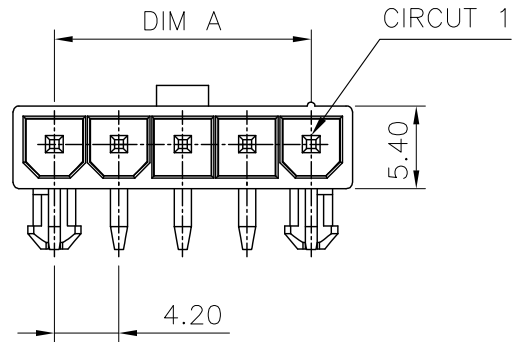


| |
|---------------|
| YL025-003-XXX |
| PART NUMBER |

| | | | | | |
|--|--|------------------|------------|--|-------------|
| THIS DRAWING IS A CONTROLLED DOCUMENT. | | DWN | 2018\03\31 | 东莞市宇亮电子有限公司 DONG GUAN YU LIANG ELECTRONICS CO., LTD | |
| DIMENSIONS: mm | | CHEK | 2018\03\31 | | |
| TOLERANCES UNLESS OTHERWISE SPECIFIED: | | APVD | 2018\03\31 | NAME ATX4.2 单排 90° | |
| 0 PLC ± 0.50 | | PRODUCT SPEC | — | SIZE | DRAWING No. |
| 1 PLC ± 0.30 | | WEIGHT | — | A4 | ©=YL025-003 |
| 2 PLC ± 0.20 | | CUSTOMER DRAWING | | | |
| 3 PLC ± 0.15 | | SCALE | 1 : 1 | SHEET 2 of 2 | |
| 4 PLC ± - | | | | | |
| ANGLES ± 3° | | | | | |

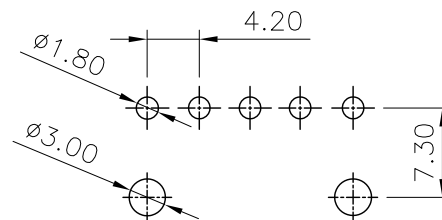
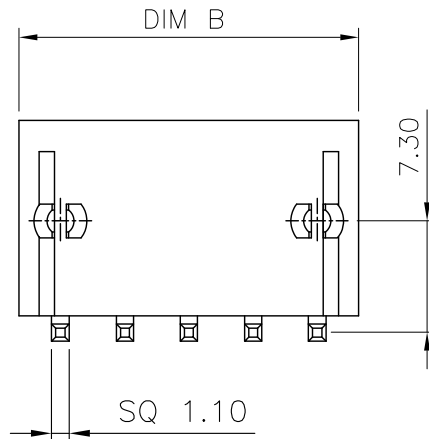


| REVISIONS | | | | |
|-----------|-------------|---------|-----|------|
| LTR | DESCRIPTION | DATE | DWN | APVD |
| A | RELEASED | 01Jan16 | AW | WK |



PRODUCT SPECIFICATION

1. INSULATOR MATERIAL : POLYESTER .
2. TERMINAL MATERIAL : COPPER ALLOY .
3. FINISH : TIN OR GOLD PLATED OVER NICKEL.
4. CURRENT RATING : 5 AMPERE.
5. INSULATION RESISTANCE : 1000M OHMS MIN.
6. DIELECTRIC WITHSTANDING VOLTAGE : 1000 V /1 MINUTE.
7. CONTACT RESISTANCE : Initial : 10 m Ohm Max. ;
Final : 40 m Ohm Max. .
8. OPERATING TEMPERATURE : - 25°C to +85°C.



RECOMMENDED PCB LAYOUT

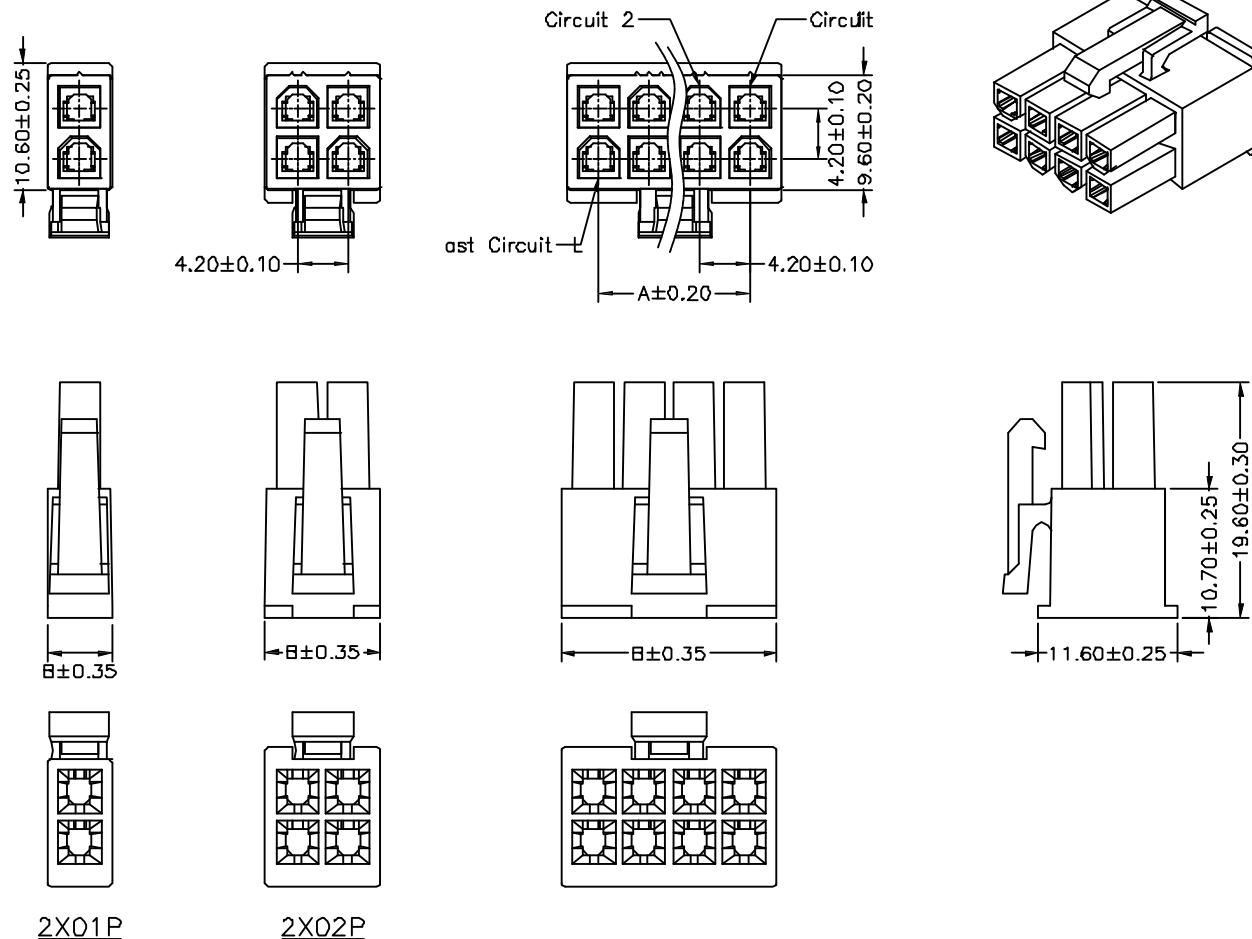
YL025-013-X AX
 B: Tin plating
 0: Gold plating
 A2: 2P
 A3: 3P
 A4: 4P
 A5: 5P

| PIN No. | DIM A | DIM B |
|---------|-------|-------|
| 2P | 4.20 | 9.60 |
| 3P | 8.40 | 13.80 |
| 4P | 12.60 | 18.00 |
| 5P | 16.80 | 22.20 |

| | | | | |
|--|--|-------------------------------|--|--------------------------|
| THIS DRAWING IS A CONTROLLED DOCUMENT. | | DWN A. WU 01Jan2016 | 东莞市宇亮电子有限公司 DONG GUAN YU LIANG ELECTRONICS CO.,LTD | |
| DIMENSIONS: mm | | CHEK S. CHIEN 01Jan2016 | | |
| TOLERANCES UNLESS OTHERWISE SPECIFIED: | | APVD Abel 01Jan2016 | ATX POWER 板端插座, 单排 90° DIP 带柱 | |
| THIRD ANGLE PROJECTION | | PRODUCT SPEC — | SIZE A4 | DRAWING No. YL025-013 |
| 0 PLC ± 0.50 1 PLC ± 0.30 2 PLC ± 0.20 3 PLC ± 0.15 4 PLC ± - ANGLES ± 3° | | WEIGHT | CUSTOMER DRAWING | |
| | | SCALE 1 : 1 | | SHEET 1 of 1 |



SPECIFICATIONS
 Current Rating: 9A AC,DC
 Voltage Rating: 600V AC,DC
 Temperature Range: -25°C ~ +85°C
 Contact Resistance: 10mΩ Max
 Insulation Resistance: 1000MΩ Min
 Withstanding Voltage: 1500V AC/minute
 Material: Nylon 66



Ordering Information & Dimensions

| PART NO. | PIN NO. | Dimensions | |
|---------------|---------|------------|-------|
| | | A | B |
| YL025-005-001 | 2X01P | --- | 5.70 |
| YL025-005-002 | 2X02P | 4.20 | 9.60 |
| YL025-005-003 | 2X03P | 8.40 | 13.80 |
| YL025-005-004 | 2X04P | 12.60 | 18.00 |
| YL025-005-005 | 2X05P | 16.80 | 22.20 |
| YL025-005-006 | 2X06P | 21.00 | 26.40 |
| YL025-005-007 | 2X07P | 25.20 | 30.60 |
| YL025-005-008 | 2X08P | 29.40 | 34.80 |
| YL025-005-009 | 2X09P | 33.60 | 39.00 |
| YL025-005-010 | 2X10P | 37.80 | 43.20 |
| YL025-005-011 | 2X11P | 42.00 | 47.40 |
| YL025-005-012 | 2X12P | 46.20 | 51.60 |

2X01P

2X02P

THIS DRAWING IS A CONTROLLED DOCUMENT.

DATE: 18Jan2016

CHECKER: CHEK

APPROVED: APVD

PRODUCT SPEC: ---

WEIGHT: ---

ASSMBLE DRAWING / 组装图

SCALE: 1 : 1

SHEET: 1 of 2

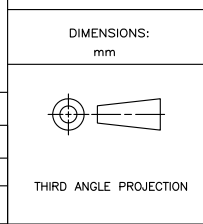
东 莞 市 宇 亮 电 子 有 限 公 司
 DONG GUAN YU LIANG ELECTRONICS CO.,LTD

NAME: ATX 4.2PITCH 公胶壳

SIZE: A4

DRAWING No. YL025-005

| A1 | RELEASED | 24MAR16 | AW | WK |
|-----------|-------------|---------|-----|------|
| A | RELEASED | 01Jan16 | AW | WK |
| LTR | DESCRIPTION | DATE | DWN | APVD |
| REVISIONS | | | | |



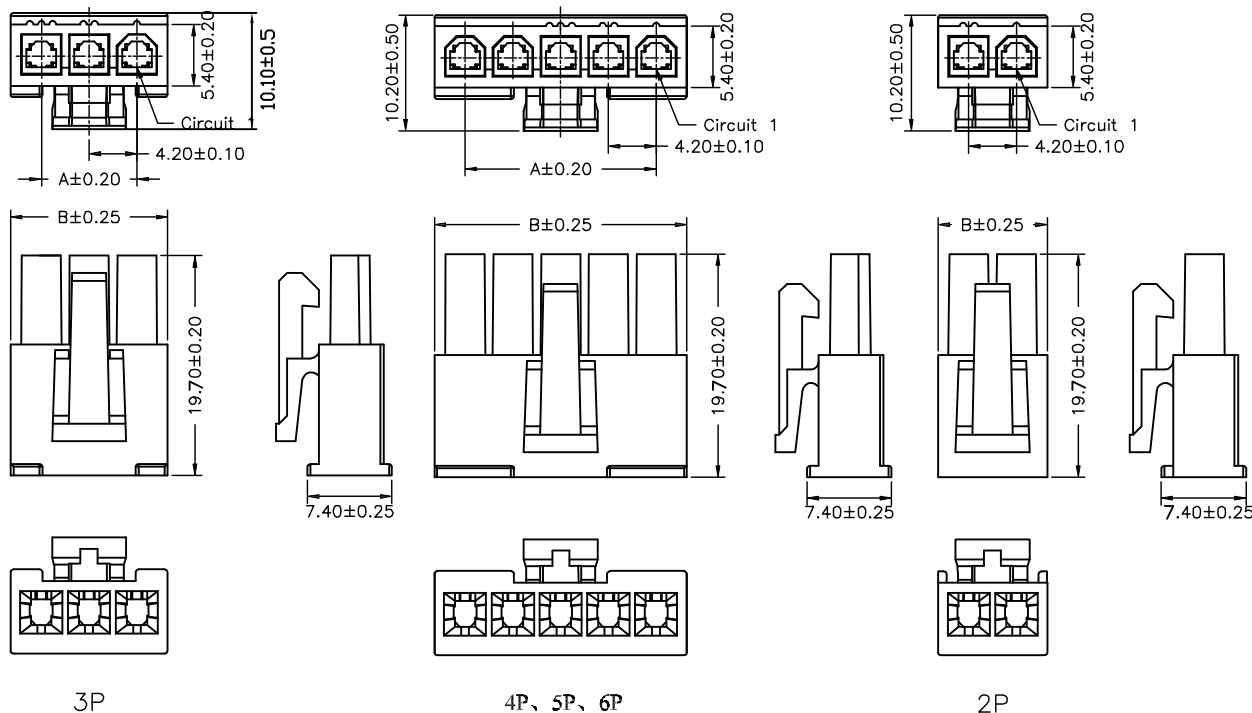


SPECIFICATIONS:

Voltage Rating: 600V AC / DC
 Current Rating: 9A AC / DC
 Withstanding Voltage: 1500V AC/minute
 Temperature Range: -25°C~+85°C
 Insulation Resistance: ≥1000MΩ
 Contact Resistance: ≤10mΩ
 After Environmental Testing: ≤20mΩ
 Material: Nylon 66,UL94V-2, Natural&Black

Ordering Information& Dimensions

| Poles | Dimensions (mm) | |
|-------|-----------------|-------|
| | A | B |
| 02P | 4.20 | 9.60 |
| 03P | 8.40 | 13.80 |
| 04P | 12.60 | 22.20 |
| 05P | 16.80 | 22.20 |
| 06P | 21.00 | 26.60 |



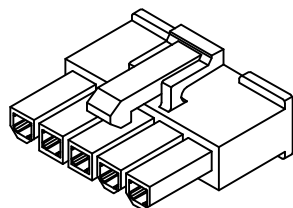
PART No:

YL025-006-X XX

0: 白色
 A: 黑色

02-2P
 03-3P

 06-6P



| A | RELEASED | 09Feb2017 | AW | WK |
|-----------|-------------|-----------|-----|------|
| LTR | DESCRIPTION | DATE | DWN | APVD |
| REVISIONS | | | | |

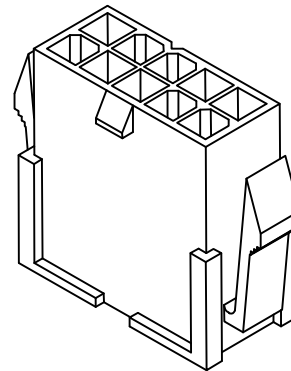
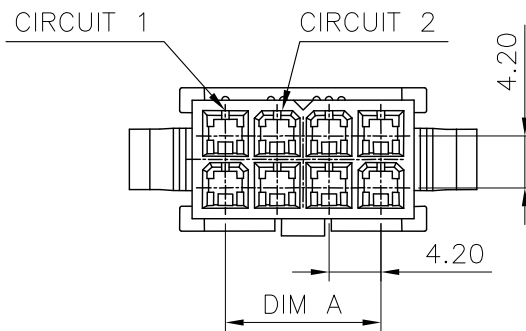
THIS DRAWING IS A CONTROLLED DOCUMENT.

| | | | |
|-------------------|--|------------------------|--|
| DIMENSIONS: mm | TOLERANCES UNLESS OTHERWISE SPECIFIED: 0 PLC ± 0.50 1 PLC ± 0.35 2 PLC ± 0.20 3 PLC ± 0.15 4 PLC ± - ANGLES ± 3° | DWN 09Feb2017 | 东莞市宇亮电子有限公司 DONG GUAN YU LIANG ELECTRONICS CO.,LTD NAME ATX POWER 线端, 插头塑胶, 单排 SIZE A4 DRAWING No. YL025-006 |
| | THIRD ANGLE PROJECTION | CHEK 09Feb2017 | |
| | | APVD 09Feb2017 | |
| | | PRODUCT SPEC WEIGHT | |
| | | ASSMBLE DRAWING / 组装图 | |
| | | SCALE 1 : 1 | SHEET 2 of 2 |



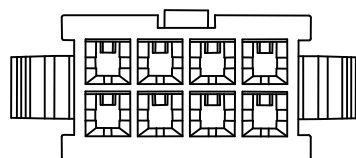
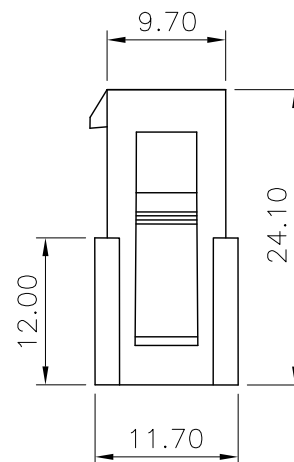
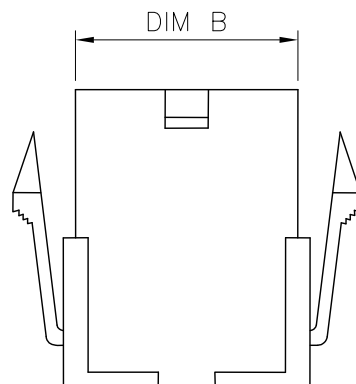
REVISIONS

| LTR | DESCRIPTION | DATE | DWN | APVD |
|-----|-------------|---------|-----|------|
| A | RELEASED | 01Jan16 | AW | WK |



SPECIFICATIONS

Current Rating: 9A AC,DC
 Voltage Rating: 600V AC,DC
 Temperature Range: $-25^{\circ}\text{C} \sim +85^{\circ}\text{C}$
 Contact Resistance: 10m Ω Max
 Insulation Resistance: 1000M Ω Min
 Withstanding Voltage: 1500V AC/minute
 Material: Nylon 66,UL94V-2
 Color: Natural(Translucent)



| PART NUMBER | PIN No. | DIM A | DIM B |
|---------------|---------|-------|-------|
| YL025-009-001 | 2 | N/A | 5.50 |
| YL025-009-002 | 4 | 4.20 | 9.70 |
| YL025-009-003 | 6 | 8.40 | 13.90 |
| YL025-009-004 | 8 | 12.60 | 18.10 |
| YL025-009-005 | 10 | 16.80 | 22.30 |
| YL025-009-006 | 12 | 21.00 | 26.50 |
| YL025-009-007 | 14 | 25.20 | 30.70 |
| YL025-009-008 | 16 | 29.40 | 34.90 |
| YL025-009-009 | 18 | 33.60 | 39.10 |
| YL025-009-010 | 20 | 37.80 | 43.30 |
| YL025-009-011 | 22 | 42.00 | 47.50 |
| YL025-009-012 | 24 | 46.20 | 51.70 |

THIS DRAWING IS A CONTROLLED DOCUMENT.

DWN 01Jan2016

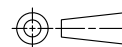
Abel

东莞市宇亮电子有限公司

DONG GUAN YU LIANG ELECTRONICS CO.,LTD

DIMENSIONS:
mmTOLERANCES UNLESS
OTHERWISE SPECIFIED:

| | |
|-------|------------|
| 0 PLC | ± 0.50 |
| 1 PLC | ± 0.30 |
| 2 PLC | ± 0.20 |
| 3 PLC | ± 0.15 |
| 4 PLC | $\pm -$ |

ANGLES $\pm 3^{\circ}$ 

THIRD ANGLE PROJECTION

NAME

ATX双排 4.2HSG 母胶壳 带翅膀

SIZE

A4

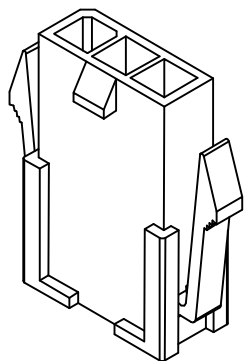
DRAWING No.

C=YL025-009

CUSTOMER DRAWING

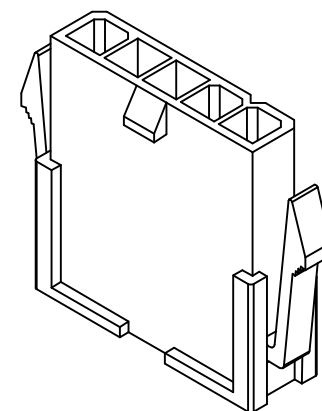
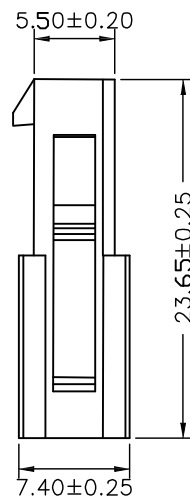
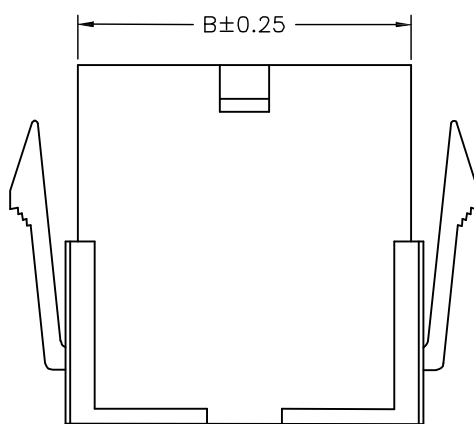
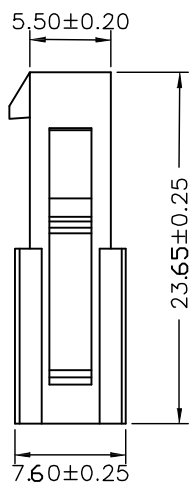
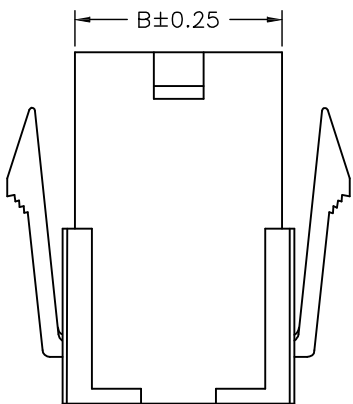
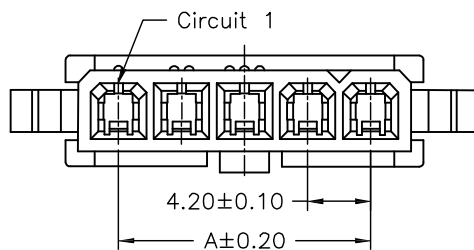
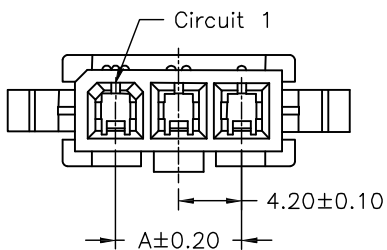
SCALE 1 : 1

SHEET 1 of 1



SPECIFICATIONS

Current Rating: 9A AC,DC
 Voltage Rating: 600V AC,DC
 Temperature Range: -25°C ~ +85°C
 Contact Resistance: 10mΩ Max
 Insulation Resistance: 1000MΩ Min
 Withstanding Voltage: 1500V AC/minute
 Material: Nylon 66,UL94V-2
 Color: Natural(Translucent)



3P

2P, 4P, 5P

Ordering Information & Dimensions

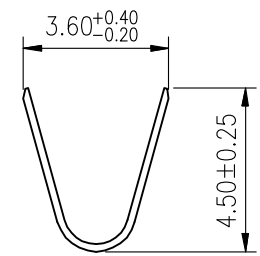
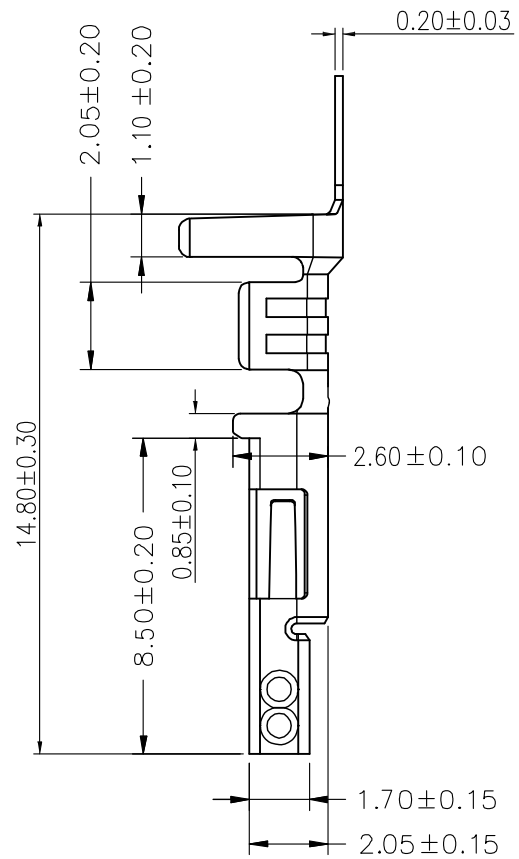
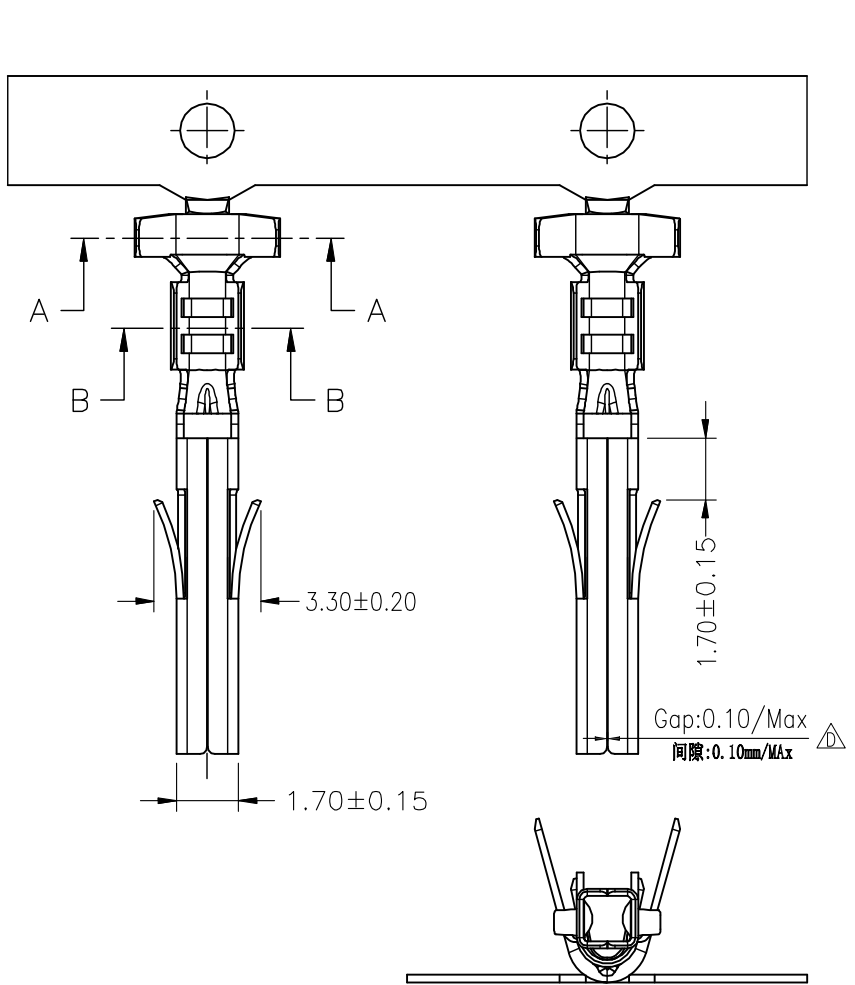
| PART NO. | Dimensions | |
|---------------|------------|-------|
| | A | B |
| YL025-008-002 | 4.20 | 9.60 |
| YL025-008-003 | 8.40 | 13.80 |
| YL025-008-004 | 12.60 | 18.00 |
| YL025-008-005 | 16.80 | 22.20 |

| A | RELEASED | 01Jan18 | AW | WK |
|-----------|-------------|---------|-----|------|
| LTR | DESCRIPTION | DATE | DWN | APVD |
| REVISIONS | | | | |

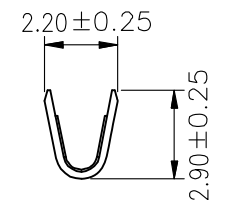
| | | | | | |
|---|--|-----------------------|-----------|--|-------------|
| THIS DRAWING IS A CONTROLLED DOCUMENT. | | DWN | 18Jan2016 | 东莞市宇亮电子有限公司 DONG GUAN YU LIANG ELECTRONICS CO.,LTD | |
| DIMENSIONS: mm | | CHEK | 18Jan2016 | | |
| TOLERANCES UNLESS OTHERWISE SPECIFIED: | | APVD | 01Jan2016 | NAME 4.20 PITCH ATX 单排母胶壳 带翅膀 | |
| 0 PLC ± 0.50 1 PLC ± 0.35 2 PLC ± 0.20 3 PLC ± 0.15 4 PLC ± - | | PRODUCT SPEC | - | | |
| THIRD ANGLE PROJECTION | | WEIGHT | - | SIZE | DRAWING No. |
| | | ASSMBLE DRAWING / 组装图 | | A4 | C=YL025-008 |
| | | SCALE 1 : 1 | | SHEET 1 of 1 | |



| REVISIONS | | | | |
|-----------|-------------|------------|-----|------|
| LTR | DESCRIPTION | DATE | DWN | APVD |
| A | RELEASED | 2018\03\17 | AW | WK |



SEC:A-A



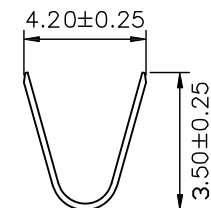
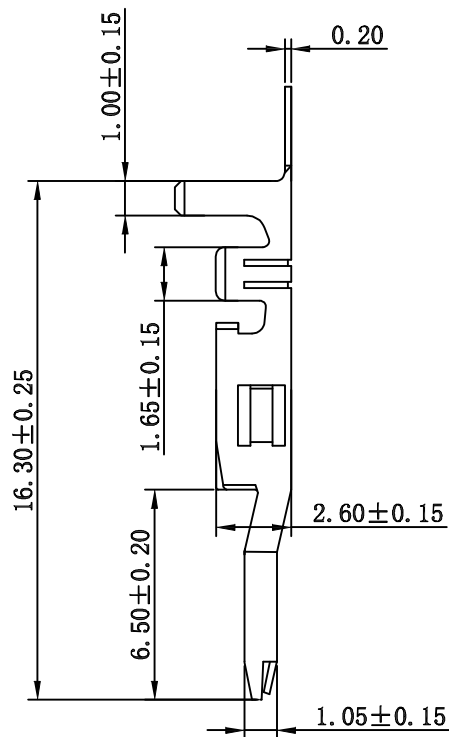
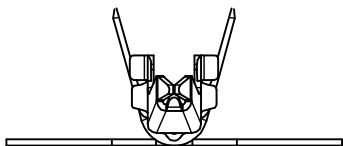
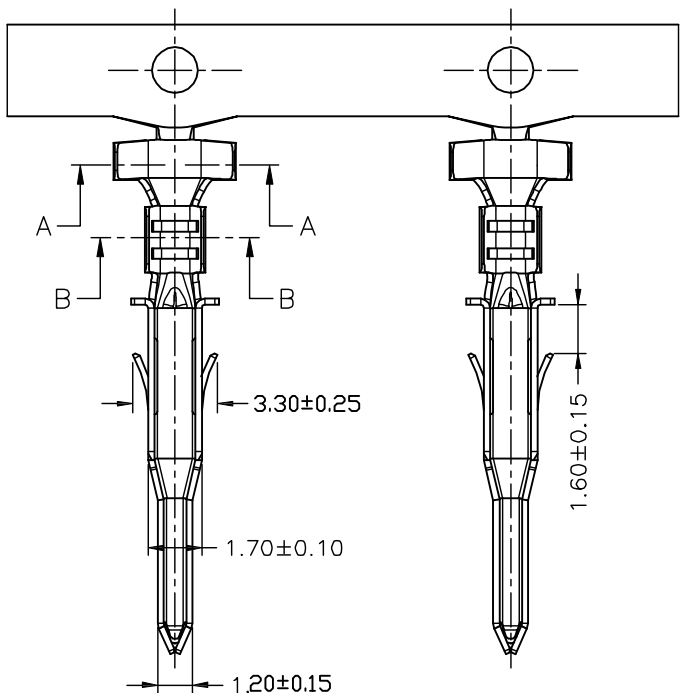
SEC:B-B

YL025-007-008
PART NUMBER

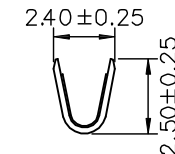
Ordering Information & Specifications

| Wire Range | Insulation O.D. | Material | Finish | Qty/reel |
|------------|-----------------|----------|------------|----------|
| AWG#16-#24 | 3.10mm(max) | Brass | Tin-plated | 5,000pcs |

| | | | | | |
|--|--|--------------|--------------|--|--------------------------|
| THIS DRAWING IS A CONTROLLED DOCUMENT. | | DWN 杨磊 | 2018\03\17 | 东莞市宇亮电子有限公司 DONG GUAN YU LIANG ELECTRONICS CO., LTD | |
| DIMENSIONS: mm | | CHEK | 2018\03\17 | | |
| TOLERANCES UNLESS OTHERWISE SPECIFIED: | | APVD | 2018\03\17 | NAME ATX4.2 高脚 母端子(黄铜) | |
| THIRD ANGLE PROJECTION | | PRODUCT SPEC | | DRAWING No. Y=YL025-007 | |
| | | WEIGHT | | SIZE A4 | SCALE 1 : 1 SHEET 3 of 4 |
| CUSTOMER DRAWING | | | SHEET 3 of 4 | | |



SEC:A-A



SEC:B-B

Ordering Information & Specifications

| Part No | Wire Range | Insulation O.D. | Material | Finish | Qty/reel |
|-----------------------------|------------|-----------------|----------|------------------|----------|
| YL025-011-001/YL025-011-A01 | AWG#18-#24 | 3.10mm(max) | Brass | Tin-plated | 7,000pcs |
| YL025-011-002 | AWG#18-#24 | 3.10mm(max) | Brass | Gold-flash 1u" | 7,000pcs |
| YL025-011-003 | AWG#18-#24 | 3.10mm(max) | Brass | Gold-plated 15u" | 7,000pcs |

Note:E-Stamping before Tin-plated or Gold-plated

| A | RELEASED | 01Jan18 | AW | WK |
|-----------|-------------|---------|-----|------|
| LTR | DESCRIPTION | DATE | DWN | APVD |
| REVISIONS | | | | |

| | | | | | | |
|--|--|--------------|-----------|--|-------------|------|
| THIS DRAWING IS A CONTROLLED DOCUMENT. | | DWN | 18Jan2016 | 东莞市宇亮电子有限公司 DONG GUAN YU LIANG ELECTRONICS CO.,LTD | | |
| DIMENSIONS: mm | | CHEK | 18Jan2016 | | | NAME |
| TOLERANCES UNLESS OTHERWISE SPECIFIED: 0 PLC ± 0.50 1 PLC ± 0.35 2 PLC ± 0.20 3 PLC ± 0.15 4 PLC ± - ANGLES ± 3° | | APVD | 18Jan2016 | | | |
| THIRD ANGLE PROJECTION | | PRODUCT SPEC | --- | SIZE | DRAWING No. | |
| | | WEIGHT | --- | A4 | YL025-011 | |
| ASSMBLE DRAWING / 组装图 | | | | SCALE | 1 : 1 | |
| | | | | SHEET | 1 of 1 | |