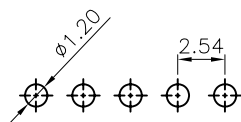
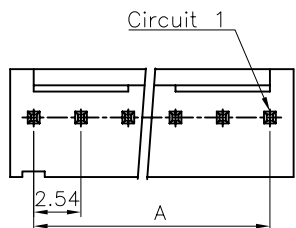




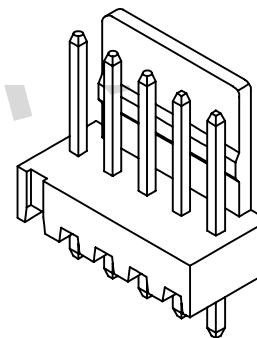
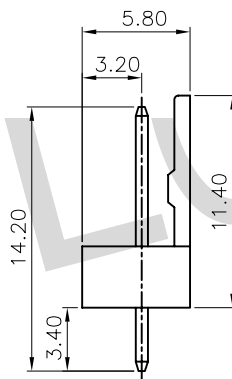
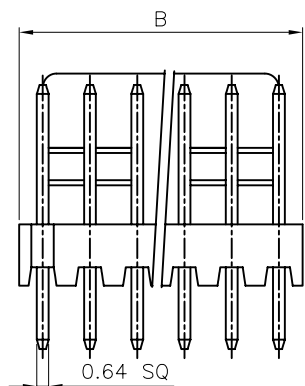
REVISIONS				
LTR	DESCRIPTION	DATE	DWN	APVD
A	RELEASED	25Jan16	AW	WK



TOLERANCE: ± 0.05 , THICKNESS: 1.6mm
RECOMMENDED PCB LAYOUT
 (TOP VIEW)

NOTE :
 1. MATERIAL:
 HOUSING: PA66, UL 94V-0.
 TERMINAL: BRASS.
 2. FINISH:
 TERMINAL: TIN OVER NICKEL.
 3. SPECIFICATION NOTES:
 CONTACT RESISTANCE: 10 milliohms MAX.
 CURRENT RATING: 3A .
 DIELECTRIC WITHSTANDING VOLTAGE: 1000V.

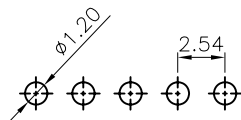
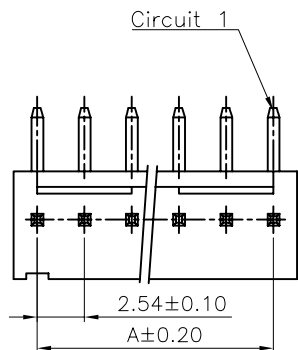
PIN NO.	Dimensions	
	A	B
2P	2.54	5.08
3P	5.08	7.62
4P	7.62	10.16
5P	10.16	12.70
6P	12.70	15.24
7P	15.24	17.78
8P	17.78	20.3
9P	20.32	22.86
10P	22.86	25.40
11P	25.40	27.94
12P	27.94	30.48
13P	30.48	32.02
14P	32.02	35.56
15P	35.56	38.10
16P	38.10	40.64
17P	40.64	43.18
18P	43.18	45.72
19P	45.72	48.26
20P	48.26	50.80
21P	50.80	53.34
22P	53.34	55.88
23P	55.88	58.42
24P	58.42	60.96
25P	60.96	63.50
26P	63.50	66.04
27P	66.04	68.58
28P	68.58	71.12



THIS DRAWING IS A CONTROLLED DOCUMENT.		DWN A. WU	25Jan2016	东莞市宇亮电子有限公司 DONG GUAN YU LIANG ELECTRONICS CO.,LTD	
DIMENSIONS: mm		CHEK S. CHIEN	25Jan2016		
TOLERANCES UNLESS OTHERWISE SPECIFIED:		APVD Abel	25Jan2016	2.54mm pitch WAFER 180° TYPE	
 THIRD ANGLE PROJECTION		PRODUCT SPEC —	—	SIZE A4	DRAWING No. YLO28-XXX
0 PLC ± 0.50 1 PLC ± 0.30 2 PLC ± 0.20 3 PLC ± 0.15 4 PLC $\pm -$ ANGLES $\pm 3^\circ$		WEIGHT —	—	CUSTOMER DRAWING	
		SCALE 1 : 1		SHEET 1 of 1	



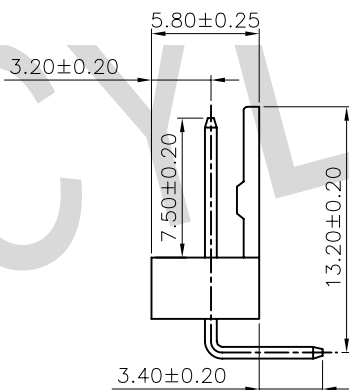
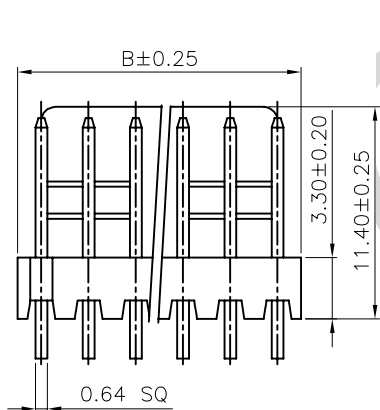
REVISIONS				
LTR	DESCRIPTION	DATE	DWN	APVD
A	RELEASED	25Jan16	AW	WK



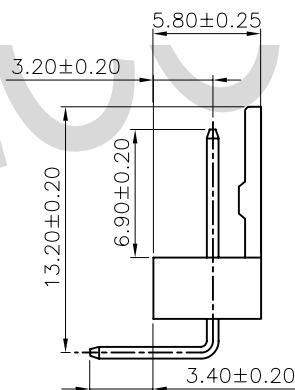
TOLERANCE: ± 0.05 , THICKNESS: 1.6mm
RECOMMENDED PCB LAYOUT
 (TOP VIEW)

NOTE :
 1. MATERIAL:
 HOUSING: PA66, UL 94V-0.
 TERMINAL: BRASS.
 2. FINISH:
 TERMINAL: TIN OVER NICKEL.
 3. SPECIFICATION NOTES:
 CONTACT RESISTANCE: 10 milliohms MAX.
 CURRENT RATING: 3A .
 DIELECTRIC WITHSTANDING VOLTAGE: 1000V.

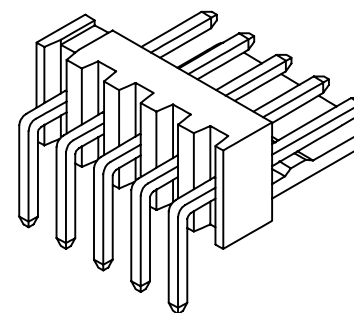
PIN NO.	Dimensions	
	A	B
2P	2.54	5.08
3P	5.08	7.62
4P	7.62	10.16
5P	10.16	12.70
6P	12.70	15.24
7P	15.24	17.78
8P	17.78	20.3
9P	20.32	22.86
10P	22.86	25.40
11P	25.40	27.94
12P	27.94	30.48
13P	30.48	32.02
14P	32.02	35.56
15P	35.56	38.10
16P	38.10	40.64
17P	40.64	43.18
18P	43.18	45.72
19P	45.72	48.26
20P	48.26	50.80
21P	50.80	53.34
22P	53.34	55.88
23P	55.88	58.42
24P	58.42	60.96
25P	60.96	63.50
26P	63.50	66.04
27P	66.04	68.58
28P	68.58	71.12



TYPE1



TYPE2

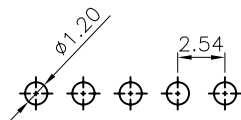
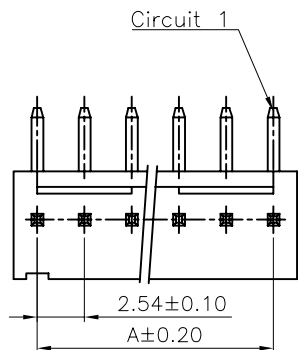


THIS DRAWING IS A CONTROLLED DOCUMENT.		DWN A. WU	25Jan2016	东莞市宇亮电子有限公司 DONG GUAN YU LIANG ELECTRONICS CO.,LTD	
DIMENSIONS: mm		CHEK S. CHIEN	25Jan2016		
TOLERANCES UNLESS OTHERWISE SPECIFIED:		APVD Abel	25Jan2016	2.54mm pitch WAFER 90° TYPE	
0 PLC ± 0.50 1 PLC ± 0.30 2 PLC ± 0.20 3 PLC ± 0.15 4 PLC $\pm -$		PRODUCT SPEC -	SIZE A4		
THIRD ANGLE PROJECTION		WEIGHT -	CUSTOMER DRAWING	SCALE 1 : 1	SHEET 1 of 1



REVISIONS

LTR	DESCRIPTION	DATE	DWN	APVD
A	RELEASED	25Jan16	AW	WK

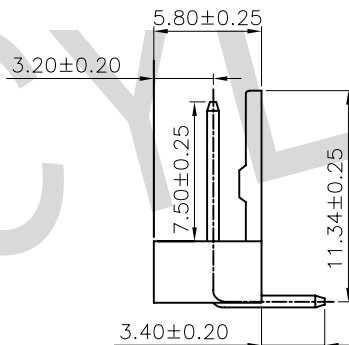
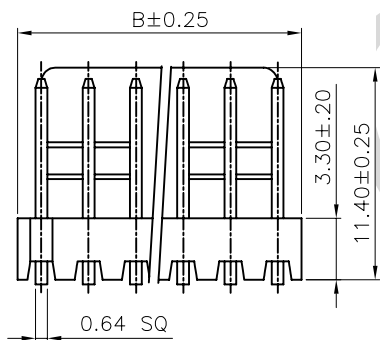


TOLERANCE: ± 0.05 , THICKNESS: 1.6mm
RECOMMENDED PCB LAYOUT
 (TOP VIEW)

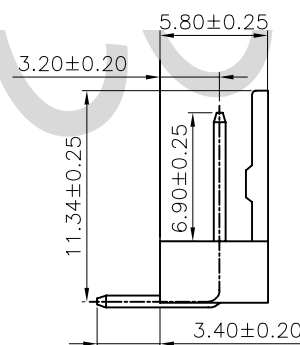
NOTE :

- MATERIAL:
HOUSING: PA66, UL 94V-0.
TERMINAL: BRASS.
- FINISH:
TERMINAL: TIN OVER NICKEL.
- SPECIFICATION NOTES:
CONTACT RESISTANCE: 10 milliohms MAX.
CURRENT RATING: 3A .
DIELECTRIC WITHSTANDING VOLTAGE: 1000V.

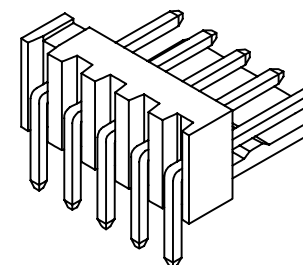
PIN NO.	Dimensions	
	A	B
2P	2.54	5.08
3P	5.08	7.62
4P	7.62	10.16
5P	10.16	12.70
6P	12.70	15.24
7P	15.24	17.78
8P	17.78	20.3
9P	20.32	22.86
10P	22.86	25.40
11P	25.40	27.94
12P	27.94	30.48
13P	30.48	32.02
14P	32.02	35.56
15P	35.56	38.10
16P	38.10	40.64
17P	40.64	43.18
18P	43.18	45.72
19P	45.72	48.26
20P	48.26	50.80
21P	50.80	53.34
22P	53.34	55.88
23P	55.88	58.42
24P	58.42	60.96
25P	60.96	63.50
26P	63.50	66.04
27P	66.04	68.58
28P	68.58	71.12



TYPE1



TYPE2

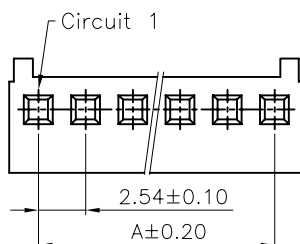


THIS DRAWING IS A CONTROLLED DOCUMENT.		DWN A. WU	25Jan2016	东莞市宇亮电子有限公司 DONG GUAN YU LIANG ELECTRONICS CO.,LTD	
DIMENSIONS: mm		CHEK S. CHIEN	25Jan2016		
TOLERANCES UNLESS OTHERWISE SPECIFIED:		APVD Abel	25Jan2016	2.54mm pitch WAFER 90° TYPE	
		PRODUCT SPEC	—		
THIRD ANGLE PROJECTION		WEIGHT	—	SIZE A4	DRAWING No. YLO28-XXX
CUSTOMER DRAWING			SCALE 1 : 1	SHEET 1 of 1	



REVISIONS

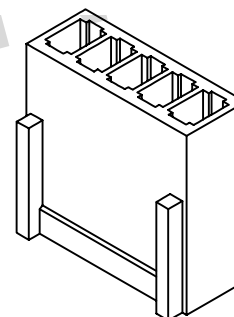
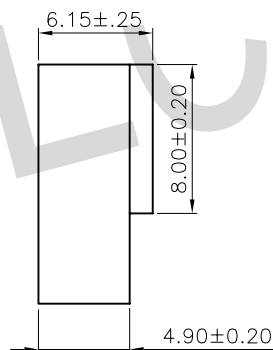
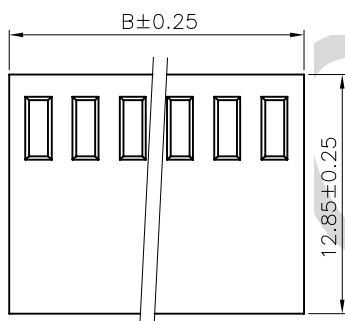
LTR	DESCRIPTION	DATE	DWN	APVD
A	RELEASED	25Jan16	AW	WK



NOTE :

1. MATERIAL:

HOUSING: PA66, UL 94V-0.



PIN NO.	Dimensions	
	A	B
2P	2.54	5.68
3P	5.08	8.22
4P	7.62	10.76
5P	10.16	13.30
6P	12.70	15.84
7P	15.24	18.38
8P	17.78	20.92
9P	20.32	23.46
10P	22.86	26.00
11P	25.40	28.54
12P	27.94	31.08
13P	30.48	33.62
14P	32.02	36.16
15P	35.56	38.70
16P	38.10	41.24
17P	40.64	43.78
18P	43.18	46.32
19P	45.72	48.86
20P	48.26	51.40
21P	50.80	53.94
22P	53.34	56.48
23P	55.88	59.02
24P	58.42	61.56
25P	60.96	64.10

THIS DRAWING IS A CONTROLLED DOCUMENT.

DWN 25Jan2016

A. WU

东莞市宇亮电子有限公司

DONG GUAN YU LIANG ELECTRONICS CO.,LTD

DIMENSIONS:
mmTOLERANCES UNLESS
OTHERWISE SPECIFIED:

CHEK 25Jan2016

S. CHIEN

NAME

APVD 25Jan2016

Abel

2.50mm pitch WAFER HOUSING TYPE

PRODUCT SPEC

—

SIZE

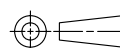
DRAWING No.

YLO28-XXX

WEIGHT

—

A4



THIRD ANGLE PROJECTION

0 PLC	± 0.50
1 PLC	± 0.30
2 PLC	± 0.20
3 PLC	± 0.15
4 PLC	± -

ANGLES ± 3°

CUSTOMER DRAWING

SCALE 1 : 1

SHEET 1 of 1

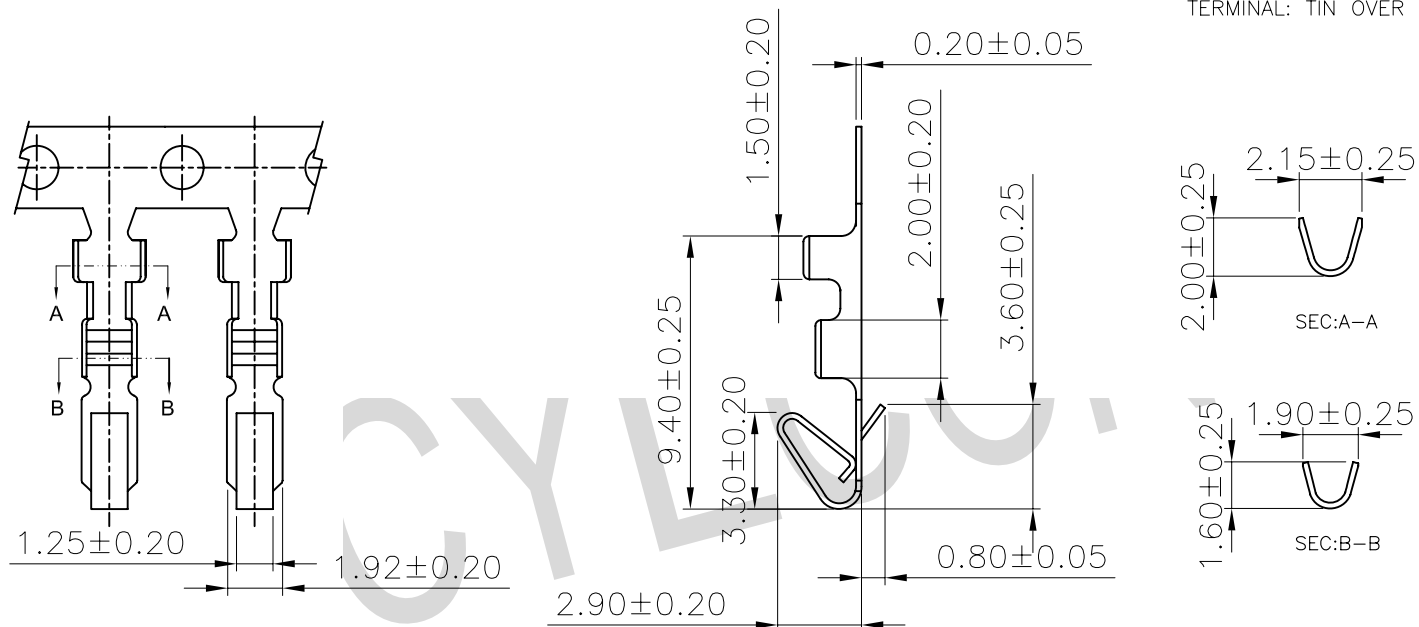


REVISIONS

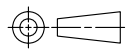
LTR	DESCRIPTION	DATE	DWN	APVD
A	RELEASED	25Jan16	AW	WK

NOTE :

- MATERIAL:
TERMINAL: BRASS.
- FINISH:
TERMINAL: TIN OVER NICKEL.



Wire Range	Insulation O.D.	Material	Finish	Qty/reel
AWG#22-#28	1.90mm(max)	Brass	Tin over Nickel	10,000 PCS

THIS DRAWING IS A CONTROLLED DOCUMENT.		DWN A. WU	25Jan2016	东莞市宇亮电子有限公司 DONG GUAN YU LIANG ELECTRONICS CO.,LTD	
DIMENSIONS: mm		CHEK S. CHIEN	25Jan2016		
TOLERANCES UNLESS OTHERWISE SPECIFIED:		APVD Abel	25Jan2016	2.54mm pitch WAFER Terminal	
 THIRD ANGLE PROJECTION		PRODUCT SPEC —	—	SIZE A4	DRAWING No. YLO28-XXX
0 PLC ± 0.50 1 PLC ± 0.30 2 PLC ± 0.20 3 PLC ± 0.15 4 PLC ± — ANGLES ± 3°		WEIGHT —	—	CUSTOMER DRAWING	
			SCALE 1 : 1	SHEET 1 of 1	