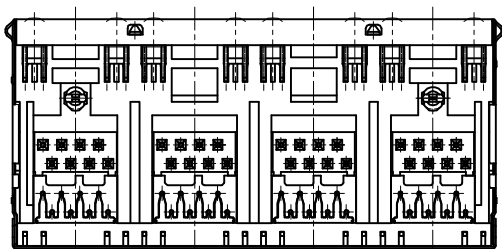
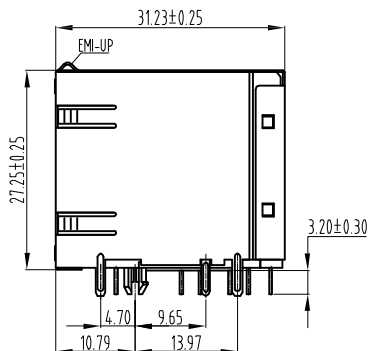
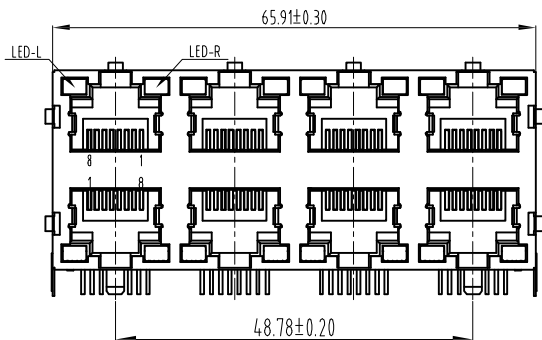




REVISIONS				
LTR	DESCRIPTION	DATE	DWN	APVD
A	RELEASED	01Jan16	AW	WK



NOTES:

MATERIAL:

- 1.HOUSING (ROUND PIN Ø0.46mm) :GLASS FILLED POLYESTER UL94V-0
- 2.CONTACT :PHOSPHOR BRONZE WITH GOLD PLATING OVER NICKEL.
- 3.SHIELD :0.20mm THICKNESS COPPER ALLOY WITH NICKEL PLATED.
- 4.LED :OPTION

ELECTRICAL:

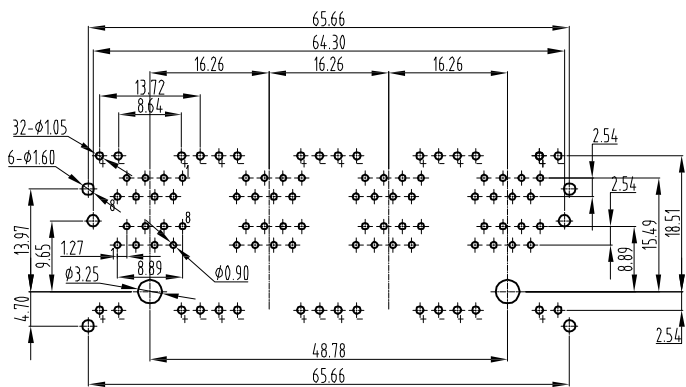
- 1.VOLTAGE RATING :125V AC.
- 2.CURRENT RATING :1.5AMP.
- 3.CONTACT RESISTANCE :30 MILLIOHMS MAX.
- 4.INSULATION RESISTANCE :500 MEGOHMS MIN @ 500V DC.
- 5.DIELECTRIC WITHSTANDING VOLTAGE :1000V AC RMS 50Hz OR 60Hz, 1MIN.

MECHANICAL:

- 1.INSETION FORCE :2.2Kg MAX.
- 2.RETENTION STRENGTH :7.7Kg BETWEEN JACK AND PLUG
- 3.DURABILITY :750 CYCLES MINI.

ENVIRONMENTAL:

- 1.STORAGE : -40℃~85℃.
- 2.OPERATION : -40℃ TO 85℃.



PCB LAYOUT/TOP VIEW

THIS DRAWING IS A CONTROLLED DOCUMENT.		DWN A. WU	01Jan2016	东莞市宇亮电子有限公司 DONG GUAN YU LIANG ELECTRONICS CO.,LTD NAME RJ45 2*4 PORTS, 90度H=27.25MM,带 LED灯. SIZE A4 DRAWING No. ©=YL005-004	
DIMENSIONS: mm		CHEK S. CHIEN	01Jan2016		
TOLERANCES UNLESS OTHERWISE SPECIFIED:		APVD Abel	01Jan2016		
THIRD ANGLE PROJECTION		PRODUCT SPEC —	WEIGHT —		
		0 PLC ± 0.50 1 PLC ± 0.30 2 PLC ± 0.20 3 PLC ± 0.15 4 PLC ± - ANGLES ± 3°		CUSTOMER DRAWING SCALE 1 : 1 SHEET 1 of 1	

YL005-004-XXX
PART NUMBER