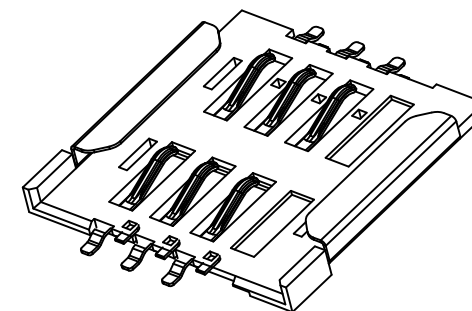
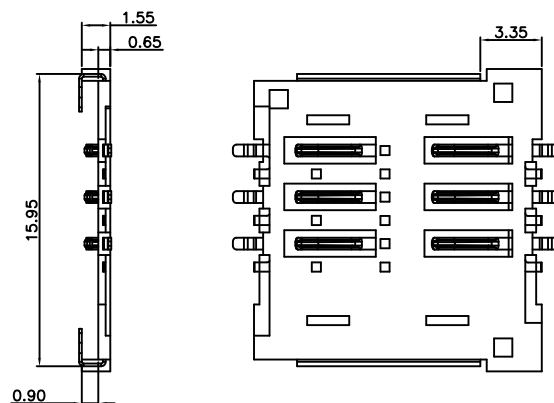
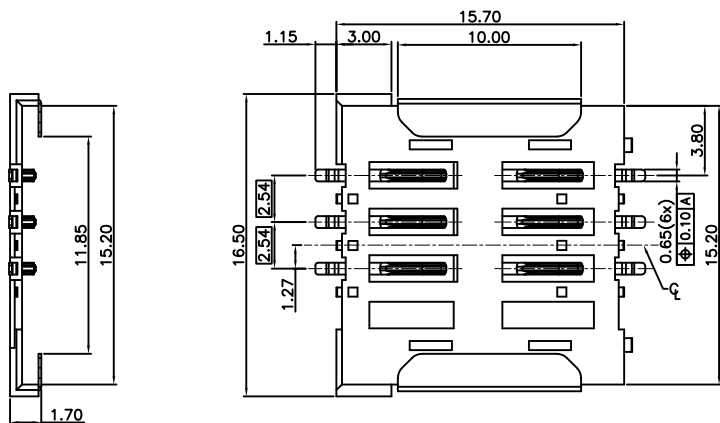
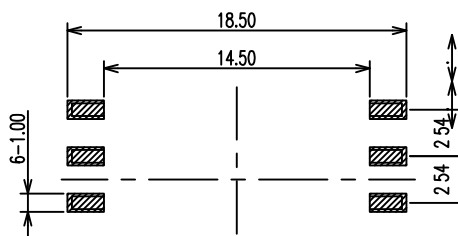
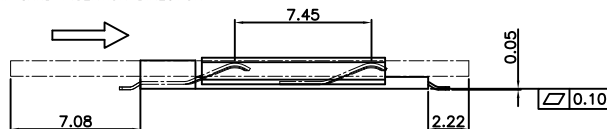




REVISIONS				
LTR	DESCRIPTION	DATE	DWN	APVD
A	RELEASED	01Jan16	AW	WK



SIM CARD INSERTION DIRECTION



P.C.B HOLE LAYOUT TOP VIEW

SPECIFICATION

1. Material:

Housing: HIGH TEMPERATURE PLASTIC, UL94V-0,color:black.
 Contacts: Phosphor Bronze, Gold plated over nickel.
 Shell: Stainless. Pickling

2. Electrical Characteristics:

Operating voltage : 50V AC(rms)/DC.
 Current rating : 0.5 A.
 Operating Temperature: -20°C~+80°C.
 Insulation resistance: 100MΩ min.
 Dielectric withstanding voltage:500V AC/1minute.
 Contact resistance: 50mΩ max.

3. Mechanical characteristics

3.1 Mating/Unmating forces:10N (1.02kgf) max.
 3.2 Contact normal forces:80gf min.
 3.3 Durability: 5,000 cycles.

YL004-009-XXX
PART NUMBER

THIS DRAWING IS A CONTROLLED DOCUMENT.		DWN A. WU 01Jan2016	东莞市宇亮电子有限公司 DONG GUAN YU LIANG ELECTRONICS CO., LTD	
DIMENSIONS: mm		CHEK S. CHIEN 01Jan2016		
 THIRD ANGLE PROJECTION		APVD Abel 01Jan2016	SIM CARD 2.54MM 6P H=1.69MM	
TOLERANCES UNLESS OTHERWISE SPECIFIED: 0 PLC ± 0.50 1 PLC ± 0.30 2 PLC ± 0.20 3 PLC ± 0.15 4 PLC ± - ANGLES ± 3°		PRODUCT SPEC — WEIGHT —	SIZE A4	DRAWING No. YL004-009
CUSTOMER DRAWING			SCALE 1 : 1	SHEET 1 of 1