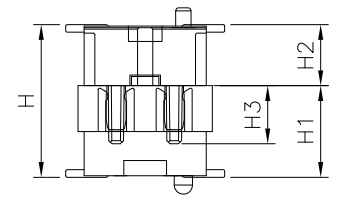
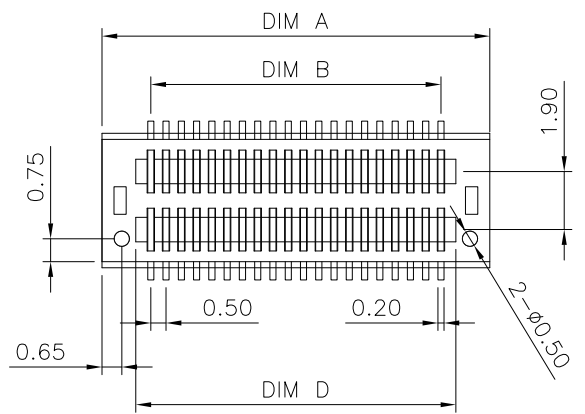
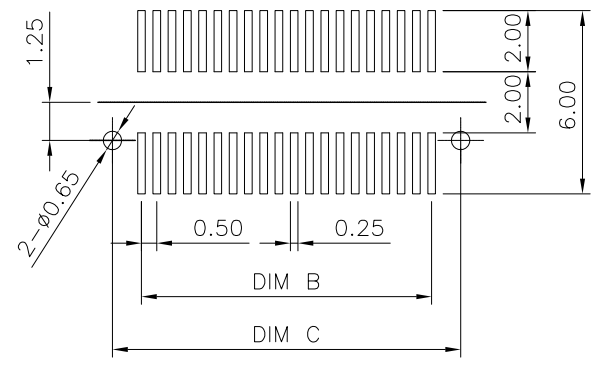
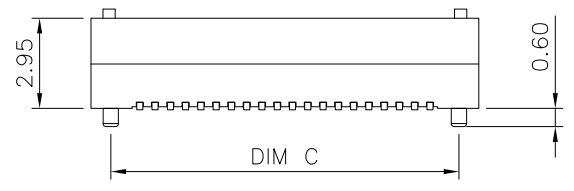
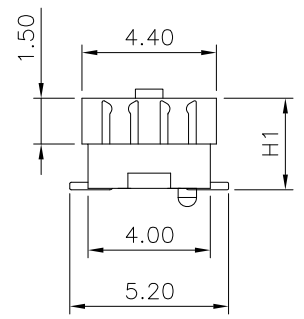




REVISIONS				
LTR	DESCRIPTION	DATE	DWN	APVD
A	RELEASED	01Jan16	AW	WK



MATING DRAW REF



RECOMMENDED PCB LAYOUT

Electrical:
 Vlotag Rating:50V AC(rms)/DC
 Current Rating:0.5A AC(rms)/DC
 Contact Resistance:50mΩ Max
 Insulation Resistance:100MΩ min
 Dielectric Withstanding Voltage:200V AC r.m.s
 Operting Temperature:-30°C~+80°C
 Materirls
 Housing:High Temperature Plastic
 UL94V-0
 Terminal:Copper Alloy
 Material:PA9T
 Contact:phosphor Bronae,Gold Plating;

NO. of Contacts	Dimension (mm)			
	A±0.10	B±0.10	C±0.10	D±0.10
8	4.70	1.50	3.40	2.48
10	5.20	2.00	3.90	2.98
12	5.70	2.50	4.40	3.48
14	6.20	3.00	4.90	3.98
16	6.70	3.50	5.40	4.48
18	7.20	4.00	5.90	4.98
20	7.70	4.50	6.40	5.48
22	8.20	5.00	6.90	5.98
24	8.70	5.50	7.40	6.48
26	9.20	6.00	7.90	6.98
28	9.70	6.50	8.40	7.48
30	10.20	7.00	8.90	7.98
32	10.70	7.50	9.40	8.48
34	11.20	8.00	9.90	8.98
36	11.70	8.50	10.40	9.48
38	12.20	9.00	10.90	9.98
40	12.70	9.50	11.40	10.48
42	13.20	10.00	11.90	10.98
44	13.70	10.50	12.40	11.48
46	14.20	11.00	12.90	11.98
48	14.70	11.50	13.40	12.48
50	15.20	12.00	13.90	12.98
52	15.70	12.50	14.40	13.48
54	16.20	13.00	14.90	13.98
56	16.70	13.50	15.40	14.48
58	17.20	14.00	15.90	14.98
60	17.70	14.50	16.40	15.48
62	18.20	15.00	16.90	15.98
64	18.70	15.50	17.40	16.48
66	19.20	16.00	17.90	16.98
68	19.70	16.50	18.40	17.48
70	20.20	17.00	18.90	17.98
72	20.70	17.50	19.40	18.48
74	21.20	18.00	19.90	18.98
76	21.70	18.50	20.40	19.48
78	22.20	19.00	20.90	19.98
80	22.70	19.50	21.40	20.48
82	23.20	20.00	21.90	20.98
84	23.70	20.50	22.40	21.48
86	24.20	21.00	22.90	21.98
88	24.70	21.50	23.40	22.48
90	25.20	22.00	23.90	22.98
92	25.70	22.50	24.40	23.48
94	26.20	23.00	24.90	23.98
96	26.70	23.50	25.40	24.48
98	27.20	24.00	25.90	24.98
100	27.70	24.50	26.40	25.48

High photosynthesis (H)	The female seat height (H1)	The male seat height (H2)	Insertion height (H3)
3.0	2.2	0.8	1.6
3.5	2.2	1.3	1.6
4.0	3.0	1.0	1.9
4.5	3.5	1.0	1.9
5.0	3.0/4.0	2.0/1.0	1.9
5.5	3.5/4.5	2.0/1.0	1.9
6.0	4.0	2.0	1.9
6.5	4.5	2.0	1.9

YL007-005-XXX
 PART NUMBER

THIS DRAWING IS A CONTROLLED DOCUMENT.		DWN A. WU 01Jan2016	东莞市宇亮电子有限公司 DONG GUAN YU LIANG ELECTRONICS CO.,LTD
DIMENSIONS: mm		CHEK S. CHIEN 01Jan2016	
TOLERANCES UNLESS OTHERWISE SPECIFIED:		APVD Abel 01Jan2016	NAME 0.5MM BOARD TO BOARD 母座 双槽立式
0 PLC ± 0.50 1 PLC ± 0.30 2 PLC ± 0.20 3 PLC ± 0.15 4 PLC ± - ANGLES ± 3°		PRODUCT SPEC — WEIGHT —	SIZE A4
THIRD ANGLE PROJECTION		DRAWING No. Y=YL007-005	
CUSTOMER DRAWING			SCALE 1 : 1 SHEET 1 of 1